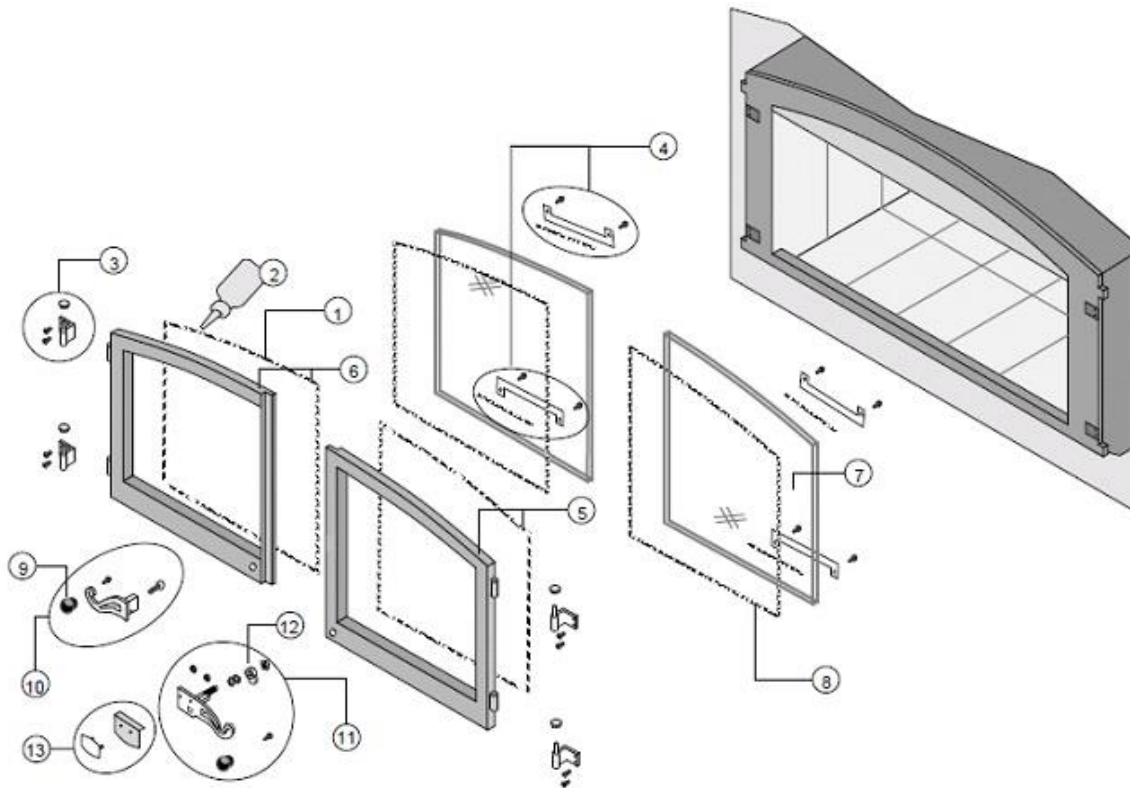


Declaration Flush Insert

Manufactured from 2005 – 2012

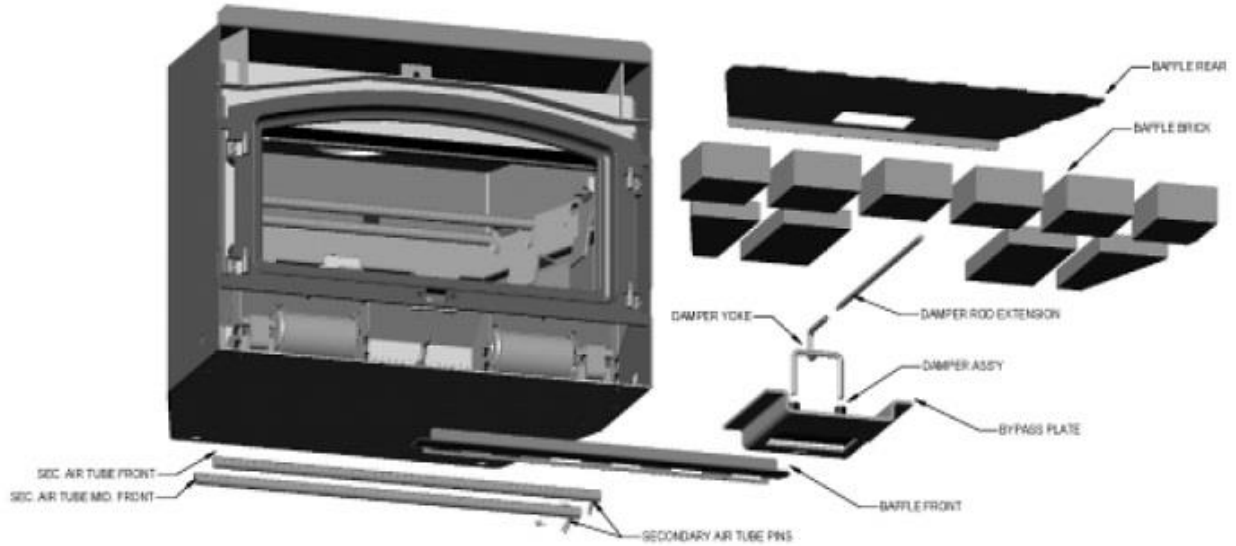


ID #	Description	Qty	Part #	ID #	Description	Qty	Part #
1	Door Gasket (3/8" Rope)		99900429	2	Door Gasket Cement	1	220-00147
3	Door Hinge Asbly - Lower Left	1	224-11096	4	Upper Glass Clip (with screws & gasket)	2	224-23026
	Door Hinge Asbly - Lower Right	1	224-11097		Lower Glass Clip (with screws & gasket)	2	224-23025
	Door Hinge Asbly - Upper Left	1	224-11098	5	Right Side Door (w gasket)	1	224-11101
	Door Hinge Asbly - Upper Right	1	224-11099	6	Left Side Door (w gasket)	1	224-11100
5	Right Side Door (w gasket)	1	224-11101	7	Glass (either side)	2	173-01042
7	Glass (either side)	2	173-01042	8	Glass Gasket (1/4" Rope)		224-11086
9	Wood Door Handle	2	224-14062	10	Left Door Handle Assembly	1	224-14055
11	Right Door Handle Assembly	1	224-14057	12	Door Cam	1	150-07108
13	Door Shield (included with face)						

Blower and Electrical Parts

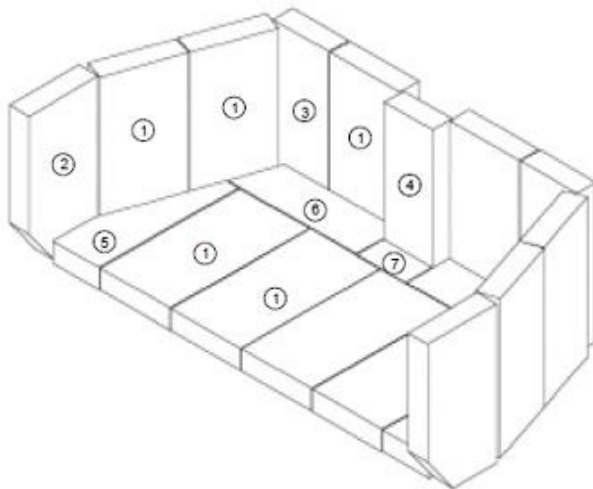
Description	Qty	Part #	Description	Qty	Part #
Left Blower	1	228-10069	Right Blower	1	228-10070
Blower Grommet and Spacer (4)	2	93005017	Rheostat	1	100-00122
Rheostat Knob	1	100-04111	Power Cord	1	100-00260

Baffle Parts

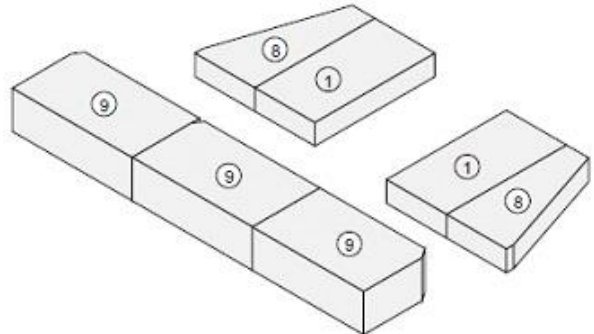


ID #	Description	Qty	Part #	ID #	Description	Qty	Part #
1	Sec. Air Tubes w Pins (all 4)	1	98900742	2	Air Tube Pin (w Screw)	4	
3	Baffle Front	1	210-05342	4	Baffle Rear	1	210-05343
5	Baffle Brick (see page 31)			6	Bypass Plate	1	221-12120
7	Damper Plate Assembly	1	221-12122	8	Damper Yoke	1	221-12123
9	Damper Rod Extension	1	100-11508				

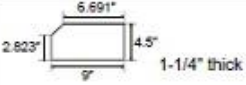
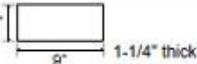
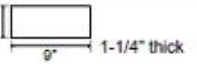
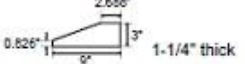
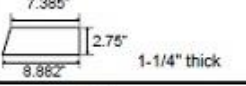

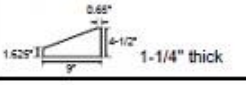
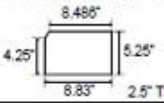
Floor and Side Brick



Baffle Brick



Woodman's Parts Plus
www.woodmanspartsplus.com

ID #	Description	Qty	Part #		ID #	Description	Qty	Part #
1	Brick - Uncut (4-1/2" x 9" x 1-1/4") Brick - Box of 9	10	175-00001 (qty = 1) 99900102 (box of 9)		2	 1-1/4" thick	2	251-00050
3	 1-1/4" thick	2	251-00049		4	 1-1/4" thick	1	251-00051
5	 1-1/4" thick	2	251-00046		6	 1-1/4" thick	2	251-00047
7	 1-1/4" thick	1	251-00048		8	 1-1/4" thick	2	251-00043
9	Set of Three (3) Notched Bricks  2.5" Thick	3	251-00044					